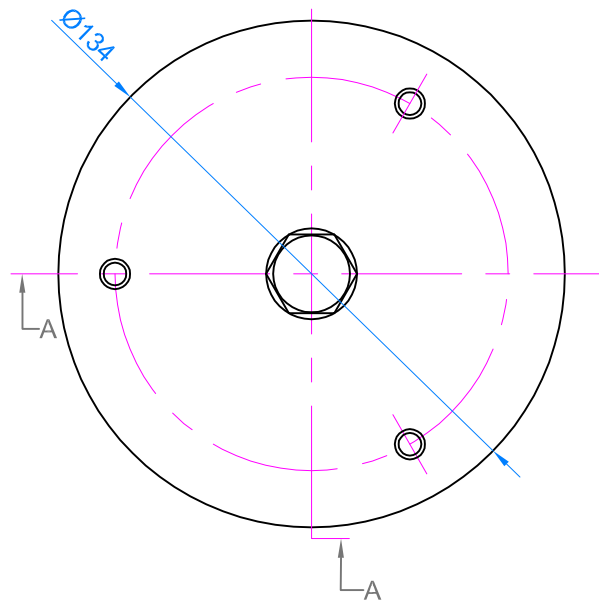


SECTION 'A-A'



REFERENCE NUMBER	COLOUR CODE	MAX LOAD (kgs)	MAX DEFLECTION (mm)
M2 33	GREEN	200	5.84
M2 45	WHITE	272	5.84
M2 55	BLUE	363	5.84
M2 65	RED	499	5.84
M2 75	YELLOW	726	5.84

NOTES:

TITLE:

DATA SHEET
M2 MOUNT

A	27/06/14	TEXT & BORDER UPDATED	M.T.	G.F.	J.D.
0	13/09/05	CREATED	G.F.	J.D.	J.D.
REV	DATE	REVISION DETAIL	DRN	CHK'D	APP'D
M2 MOUNT					A



Isolated Systems Limited
 Adams Close, Heanor Gate Industrial Park, Heanor, Derbyshire, DE75 7SW
 T +44 (0)1773 761226
 F +44 (0)1773 760408
 E sales@isolatedsystems.com
 www.isolatedsystems.com